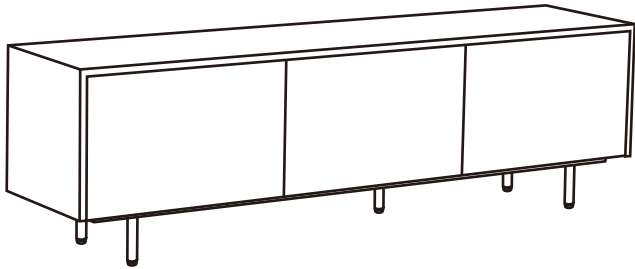
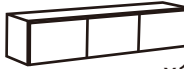

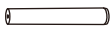
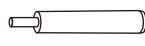




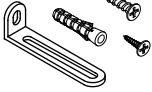




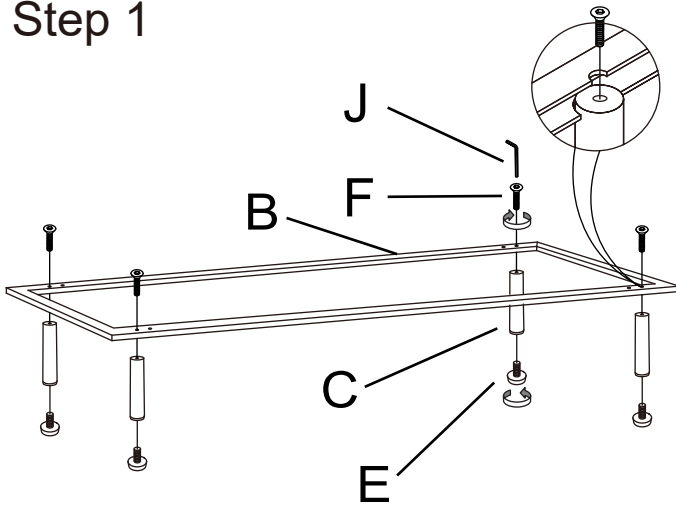


ASSEMBLE INSTRUCTION

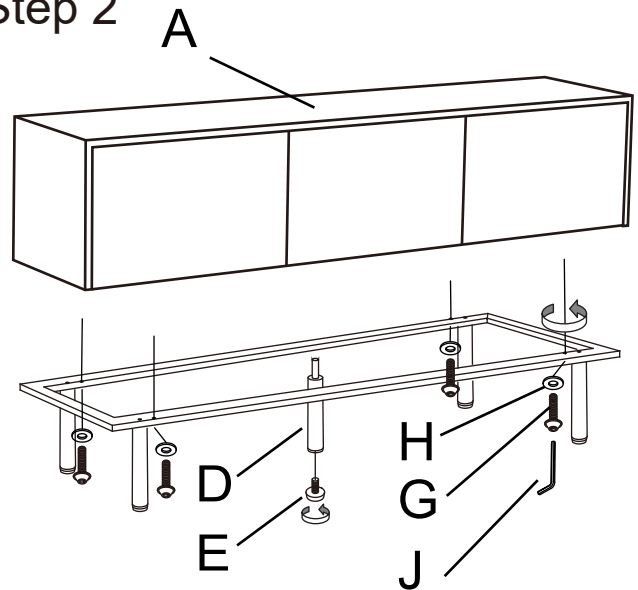


A  x1	B  x1	C  x4
D  x1	E  x5	F  M8x25mm x4
G  M6x30mm x4	H  M6x18mm x4	I  x2
J  5# x1	Spare Parts  M8x25mm x1	Spare Parts  M6x30mm x1
Spare Parts  M6x18mm x1		

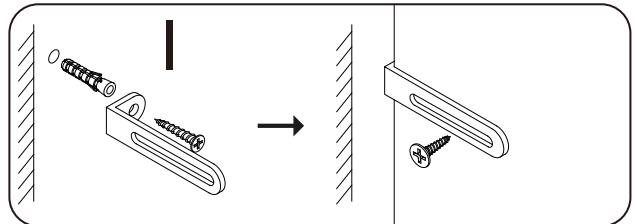
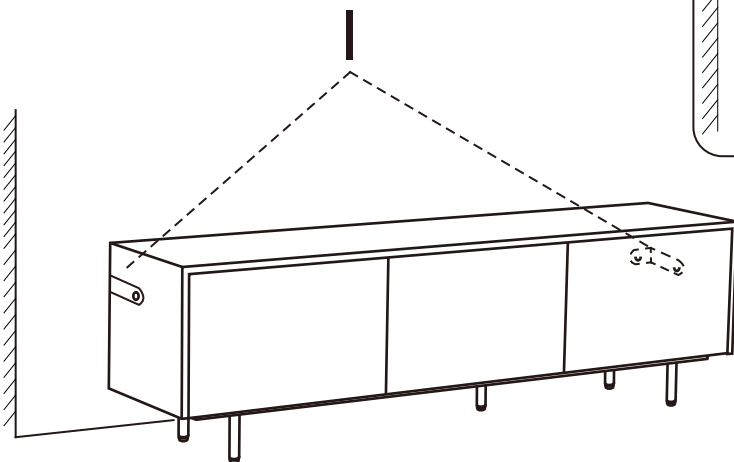
Step 1



Step 2

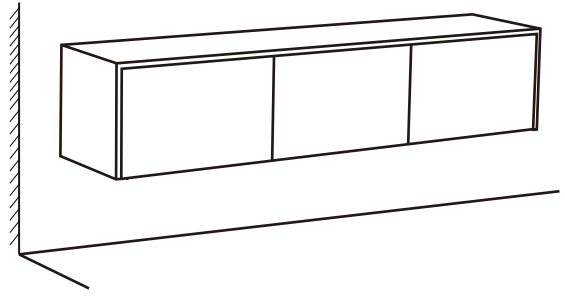
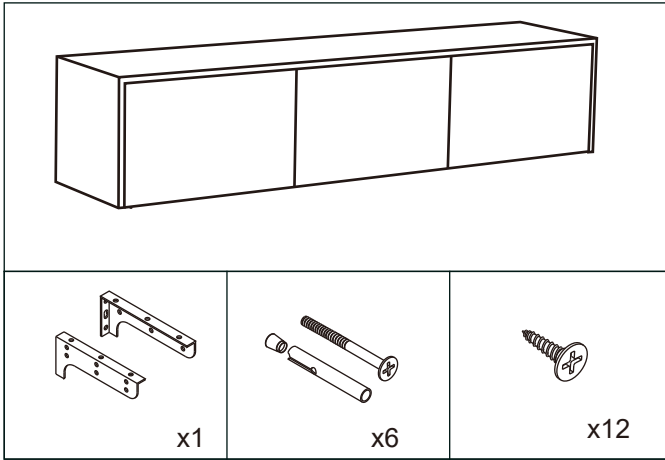


Step 3

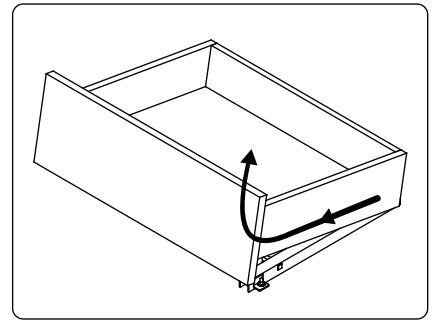
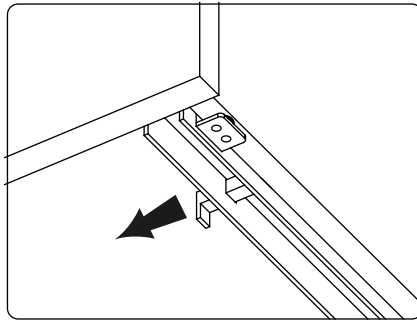
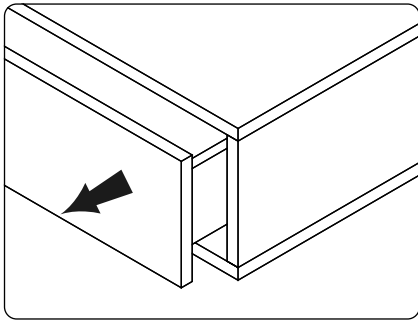


Install it at suitable place .

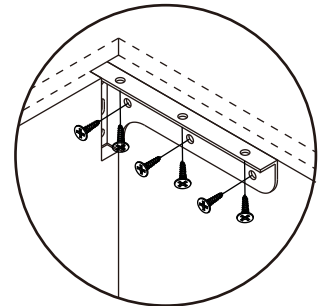
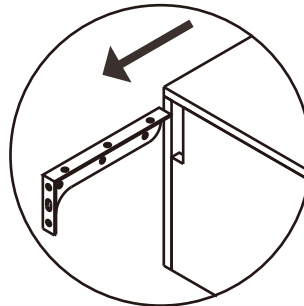
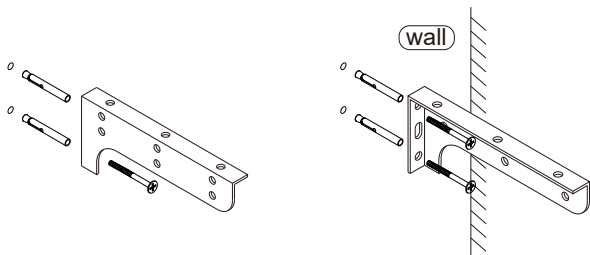
Wall-mounted Assembly Instruction



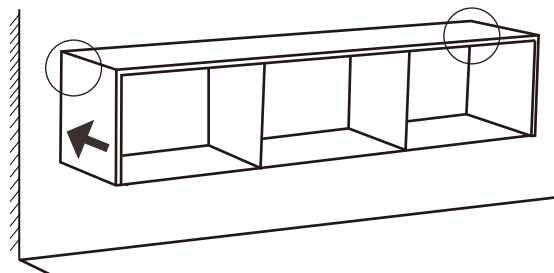
Step 1 Remove the drawer



Step 2



Measure correct position, make holes level, fixed the bracket



Step 3 Reinstall the drawer

