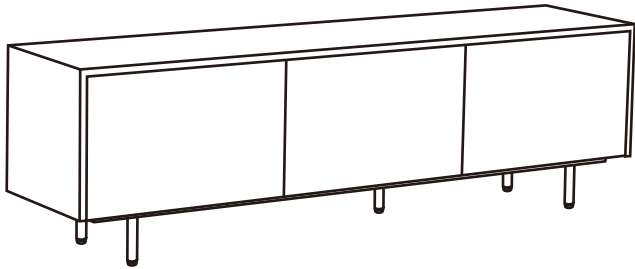
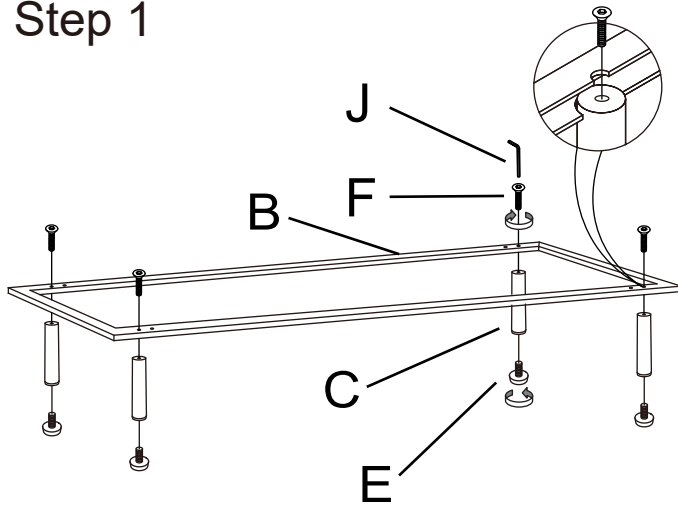


# ASSEMBLE INSTRUCTION

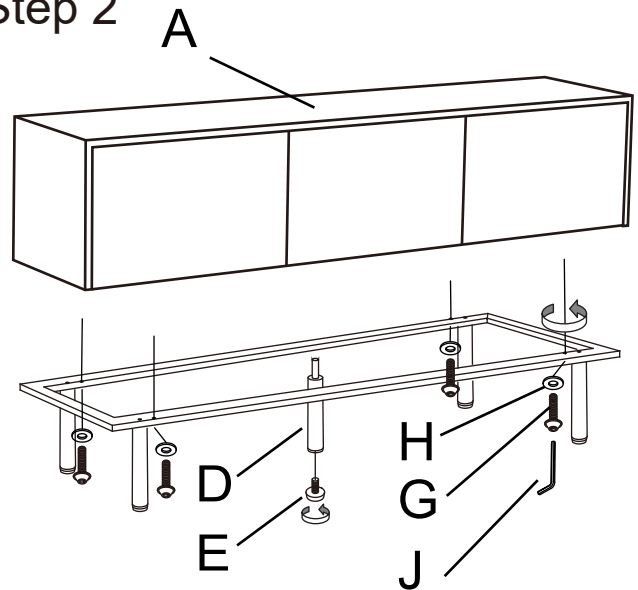


<b>A</b>  x1	<b>B</b>  x1	<b>C</b>  x4
<b>D</b>  x1	<b>E</b>  x5	<b>F</b>  M8x25mm x4
<b>G</b>  M6x30mm x4	<b>H</b>  M6x18mm x4	<b>I</b>  x2
<b>J</b>  5# x1	Spare Parts  M8x25mm x1	Spare Parts  M6x30mm x1
Spare Parts  M6x18mm x1		

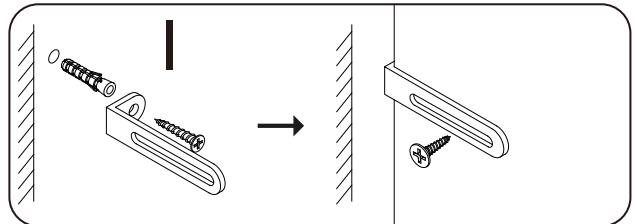
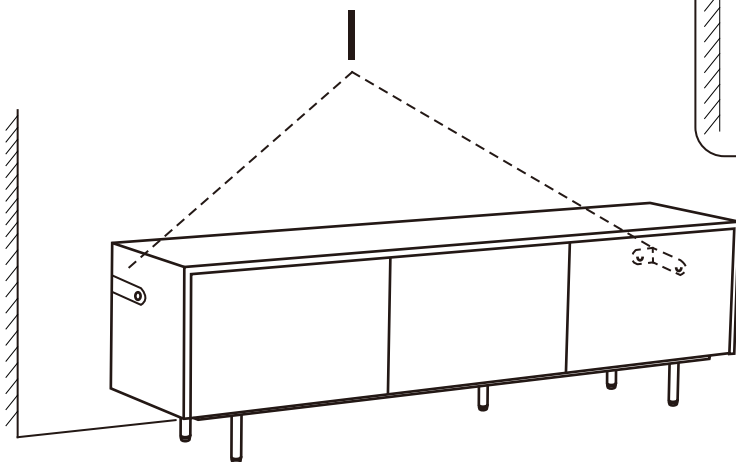
## Step 1



## Step 2

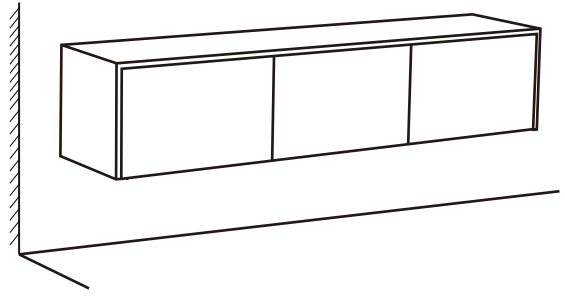
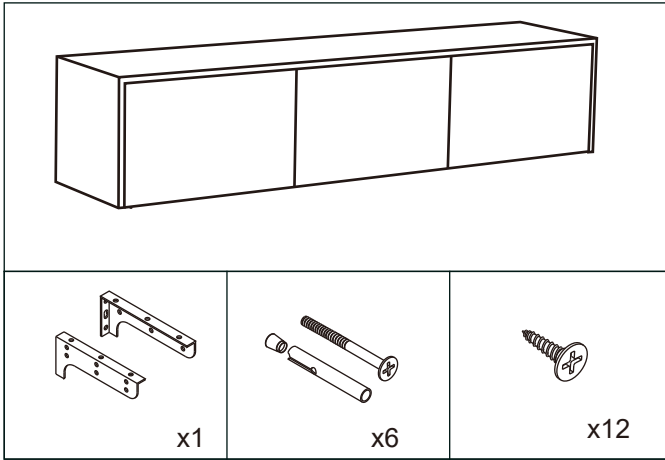


## Step 3

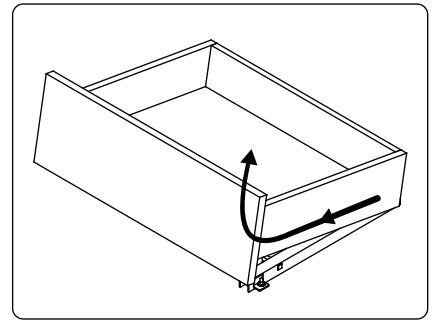
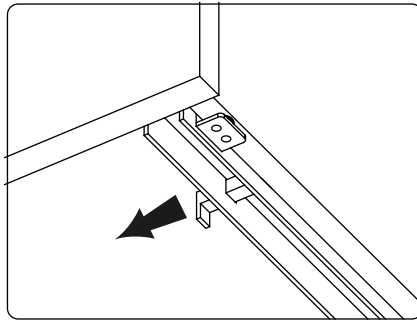
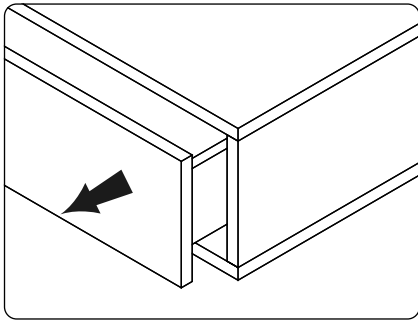


Install it at suitable place .

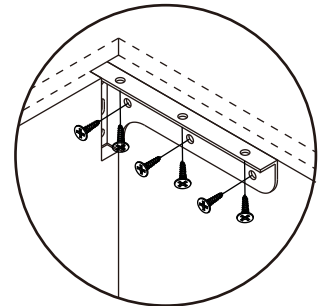
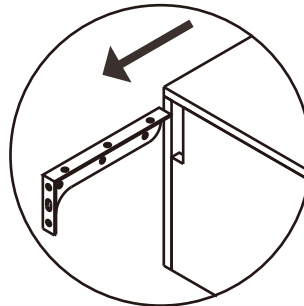
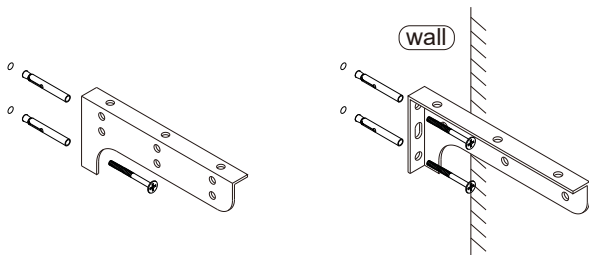
# Wall-mounted Assembly Instruction



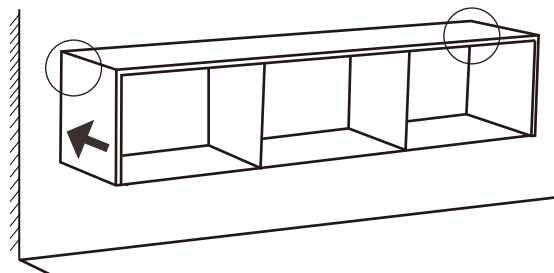
## Step 1 Remove the drawer



## Step 2



Measure correct position, make holes level, fixed the bracket



## Step 3 Reinstall the drawer

