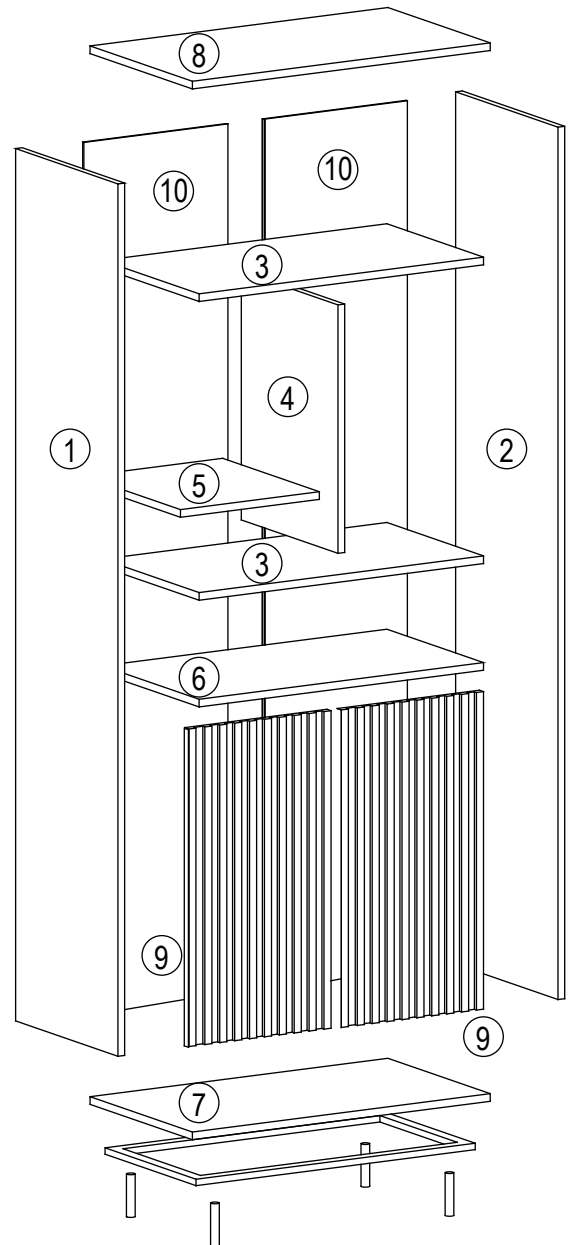
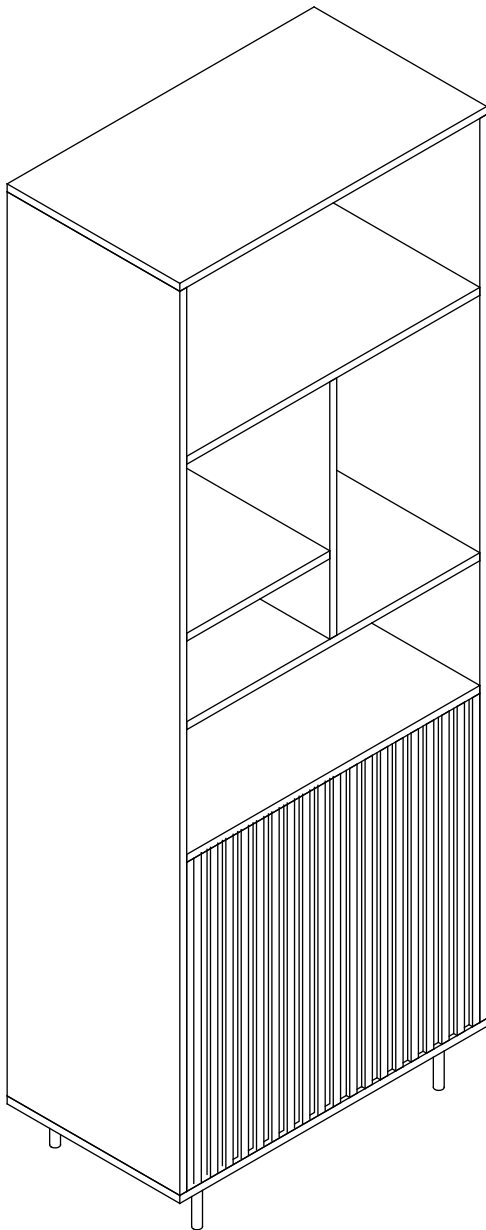
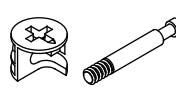

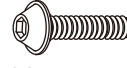

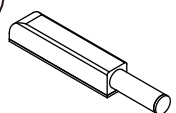


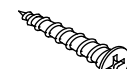

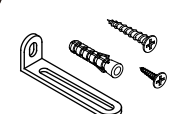
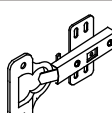

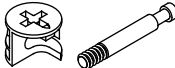


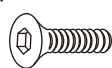





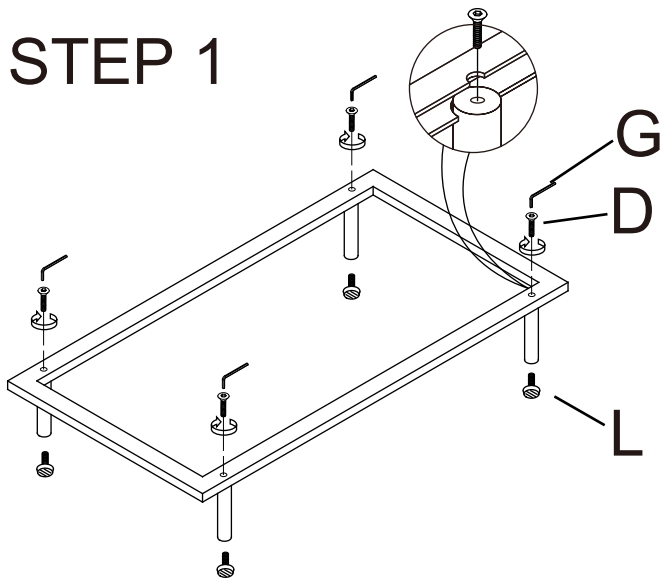
ASSEMBLE INSTRUCTION



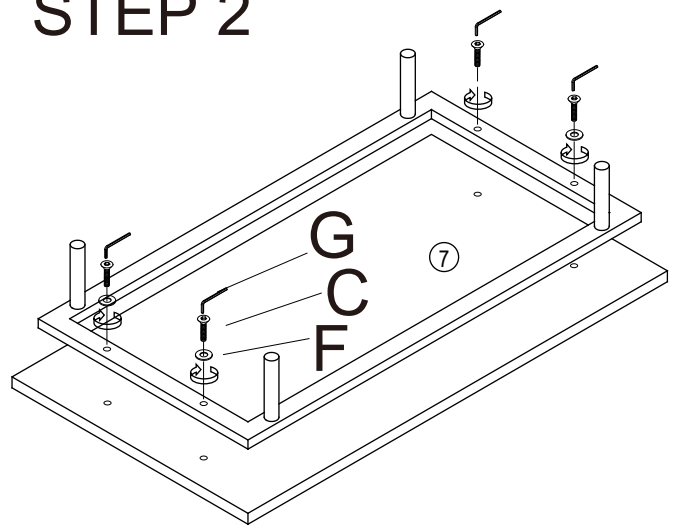
A  x28	B  x28	C  M6x30mm x4	D  M8x25mm x4	E  x2
F  M6x18mm x4	G  5# x1	H  3.5x35mm x8	I  3.5x15mm x42	J  x2
K  x4	L  x4	Spare Parts  x1	Spare Parts  x1	Spare Parts  M6x30mm x1
Spare Parts  M8x25mm x1	Spare Parts  M6x18mm x1	Spare Parts  3.5x35mm x1	Spare Parts  3.5x15mm x1	

ASSEMBLE INSTRUCTION

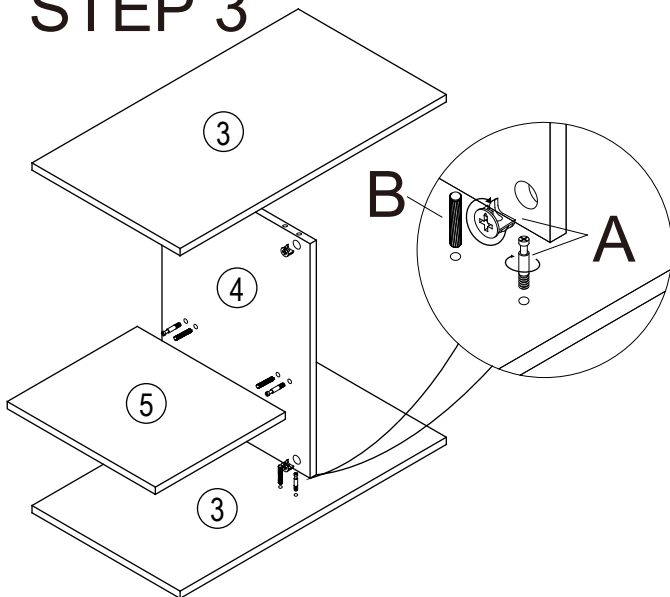
STEP 1



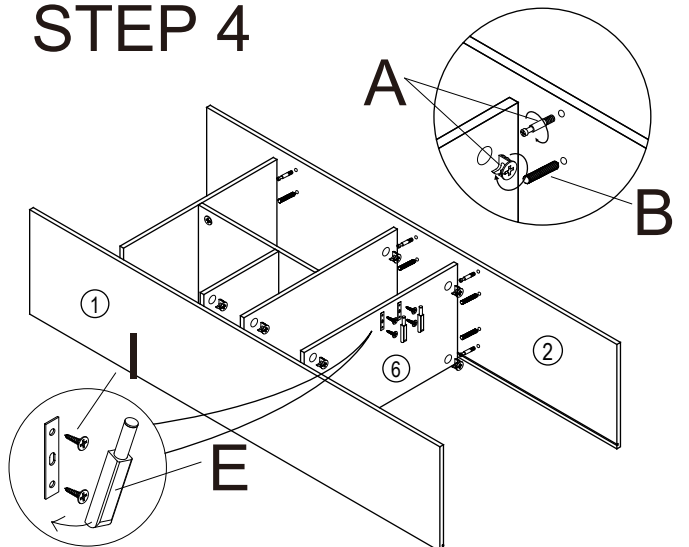
STEP 2



STEP 3

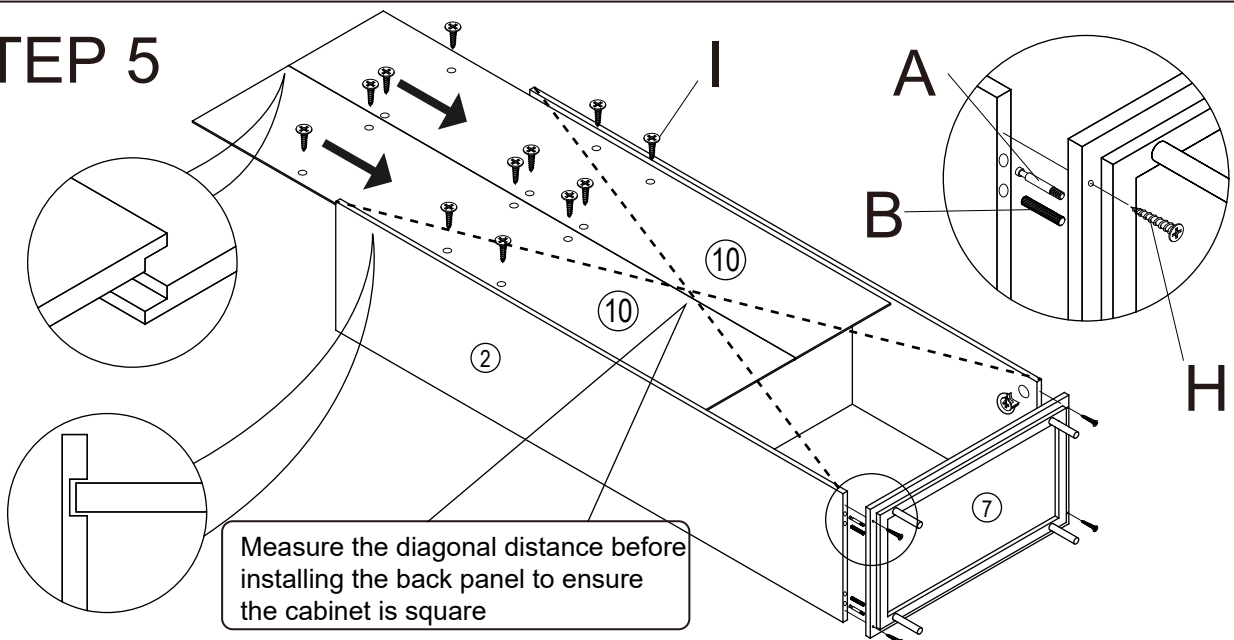


STEP 4



Fix the bottom of the bouncer first, then mounting the bouncer on it, Rebounder distance is adjustable.

STEP 5



Measure the diagonal distance before installing the back panel to ensure the cabinet is square

ASSEMBLE INSTRUCTION

STEP 6

