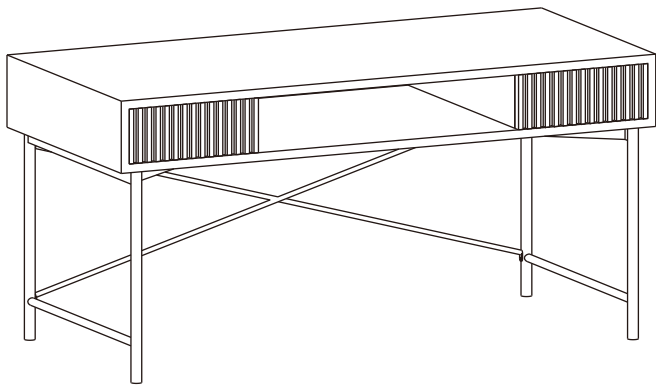


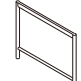
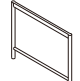



















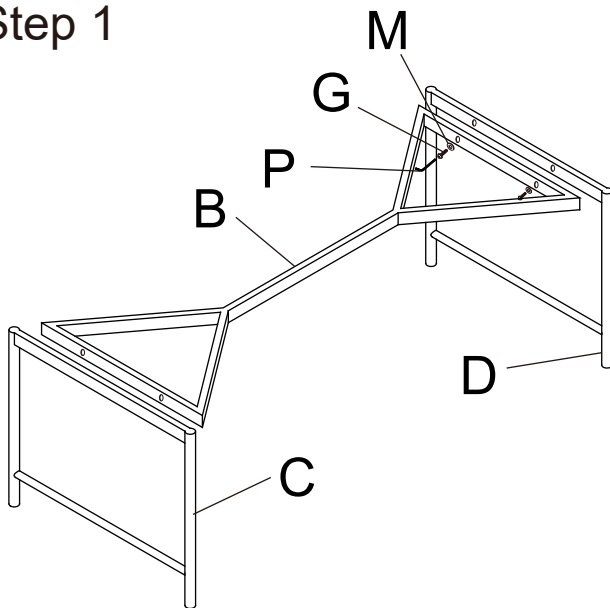


ASSEMBLE INSTRUCTION

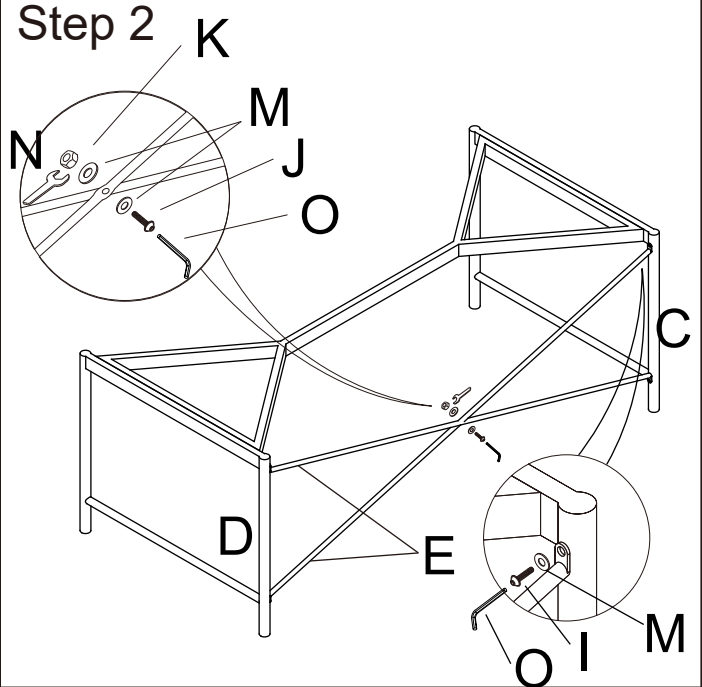


| | | | |
|--|--|--|--|
| A  x1 | B  x1 | C  x1 | D  x1 |
| E  x2 | F  x4 | G  M8x25mm x4 | H  M6x45mm x5 |
| I  M6x16mm x4 | J  M6x20mm x1 | K  x1 | L  M8x18mm x4 |
| M  M6x18mm x11 | N  x1 | O  5# x1 | P  6# x1 |
| Q  x1 | Spare Parts  M8x25mm x1 | Spare Parts  M6x45mm x1 | Spare Parts  M6x16mm x1 |
| Spare Parts  M6x20mm x1 | Spare Parts  M8x18mm x1 | Spare Parts  M6x18mm x1 | |

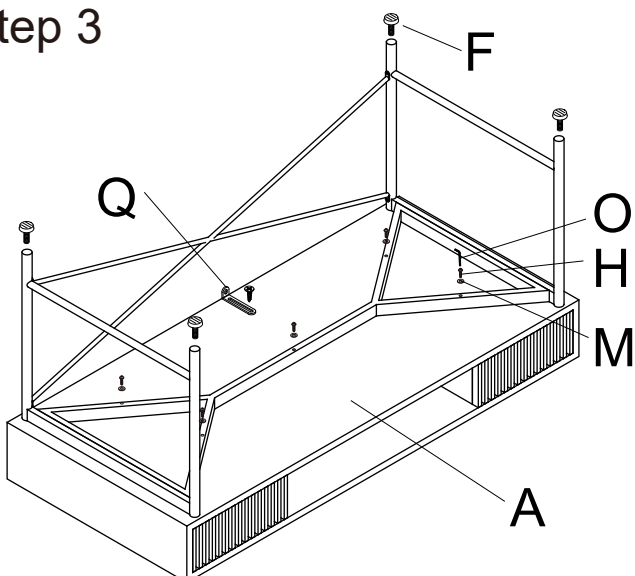
Step 1



Step 2



Step 3



Step 4

