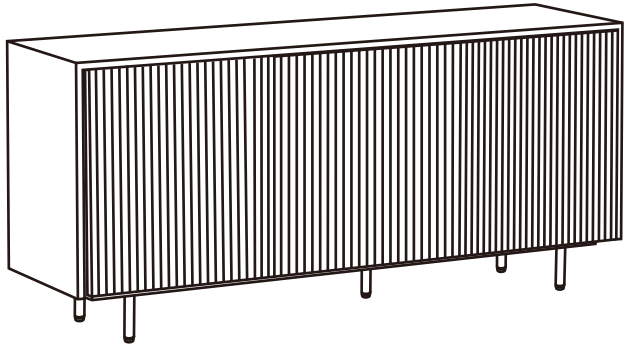
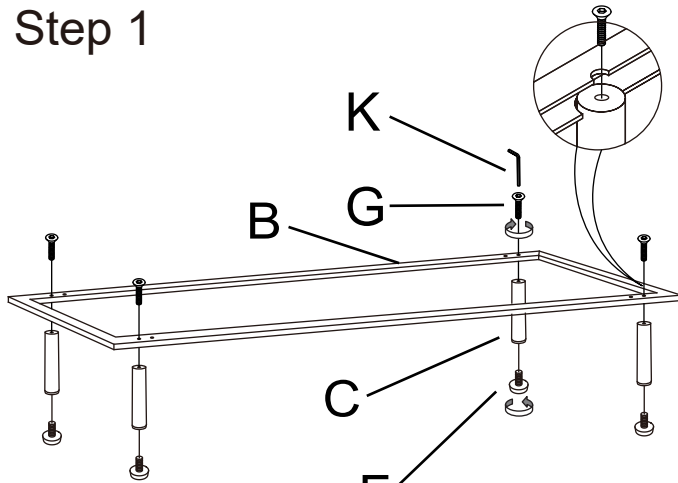


# ASSEMBLE INSTRUCTION

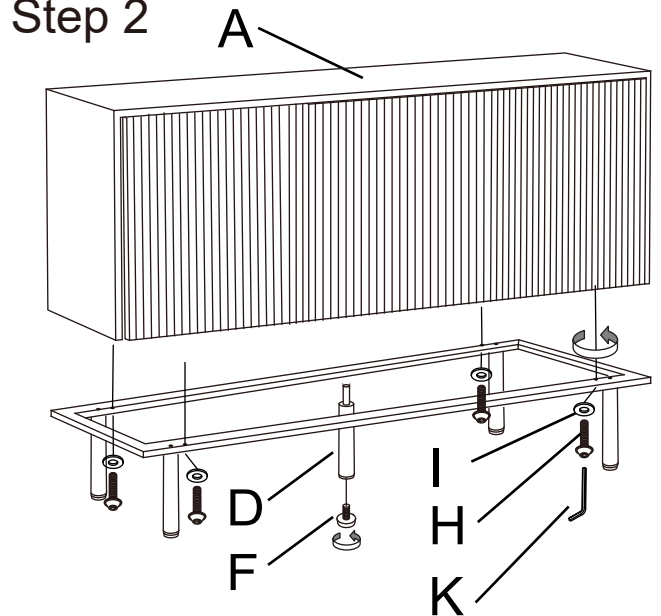


A x1	B x1	C x4
D x1	E x3	F x5
G x4	H x4	I x4
J x2	K x1	L x13
Spare Parts x1	Spare Parts x1	Spare Parts x1

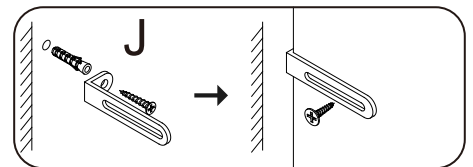
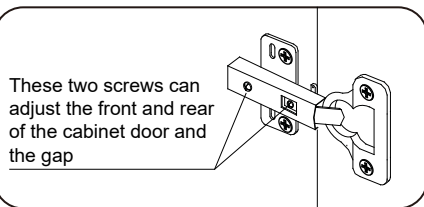
## Step 1



## Step 2



## Step 3



Each showcase has three location for partition plate

